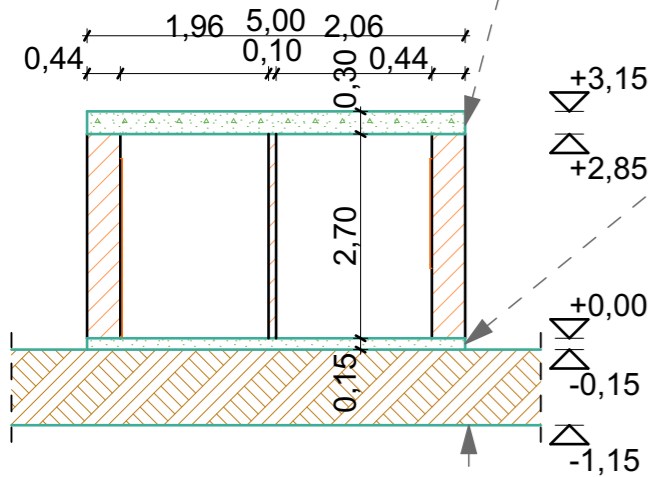


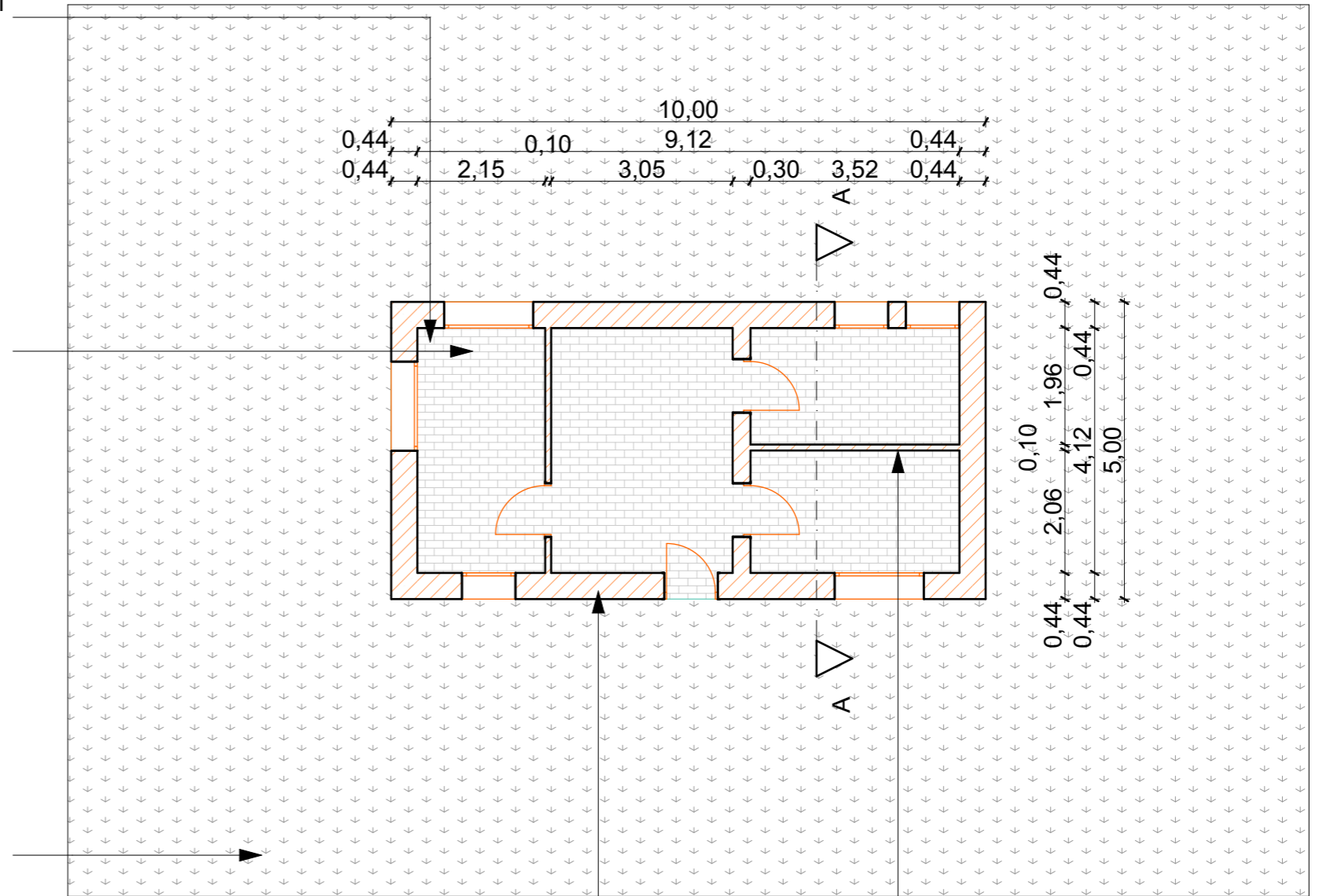
Top Slab:
 Slab Thickness: 0,30m
 Absolute Base Height: 3,00 m
 Building Material: "Reinforced Concrete - Structural"
 Override Surfaces:
 Top Surface: "Grass - Green"
 Edge Surface: "Paint - Light Gray"
 Bottom Surface: "Paint - Glossy White"

A-A Section:



Bottom Slab:
 Slab Thickness: 0,15 m
 Absolute Base Height: 0,00 m
 Building Material: "Concrete"
 Override Surfaces:
 Top Surface: "Floorboards - 01"
 Edge Surface: "Paint - Light Gray"
 Bottom Surface: "Concrete 10"
 Cover Fills:
 Cover Fill: Shingle
 Cover Fill Pen: 102 (Light Grey)
 Cover Fill Background "-1"

Slab:
 Slab Thickness: 1,00 m
 Absolute Base Height: -0,15 m
 Building Material: "Soil"
 Override Surfaces:
 Top Surface: "Grass - Green"
 Edge Surface: "Earth - Brown"
 Bottom Surface: "Earth - Brown"
 Outlines:
 Uncut Lines: "1" (black)
 Cover Fills:
 Cover Fill: Landscape - Grass
 Cover Fill Pen: 101 (Grey)
 Cover Fill Background "-1"



44 cm Thick Wall:
 Wall Top: 1. 01 - First Floor (Home +1)
 Building Material: "Brick - Finish"
 Override Surfaces:
 Outside Face Surface: "Paint - Light Gray"
 Edge Surface: "Paint - Light Gray"
 Inside Face Surface: "Paint - Glossy White"

0,10 m and 0,30 m Thick Wall:
 Wall Top: 1. 01 - First Floor (Home +1)
 Building Material: "Brick - Finish"
 Override Surfaces:
 Outside Face Surface: "Paint - Glossy White"
 Edge Surface: "Paint - Glossy White"
 Inside Face Surface: "Paint - Glossy White"

3D:

