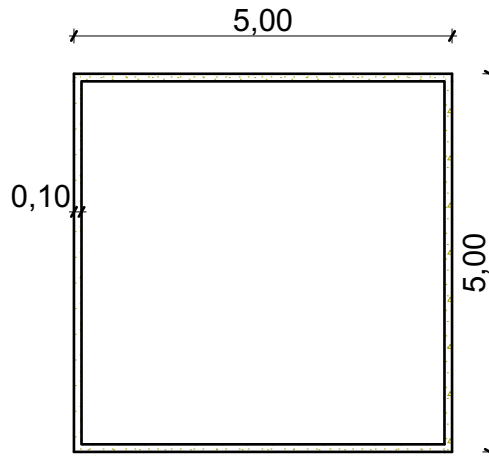


4. Wall tool: Straight -> Chained:

a.) Building Material:  
- Concrete - Reinforced



b.) Chained wall with individual dimensions than changed by sides with described materials:

