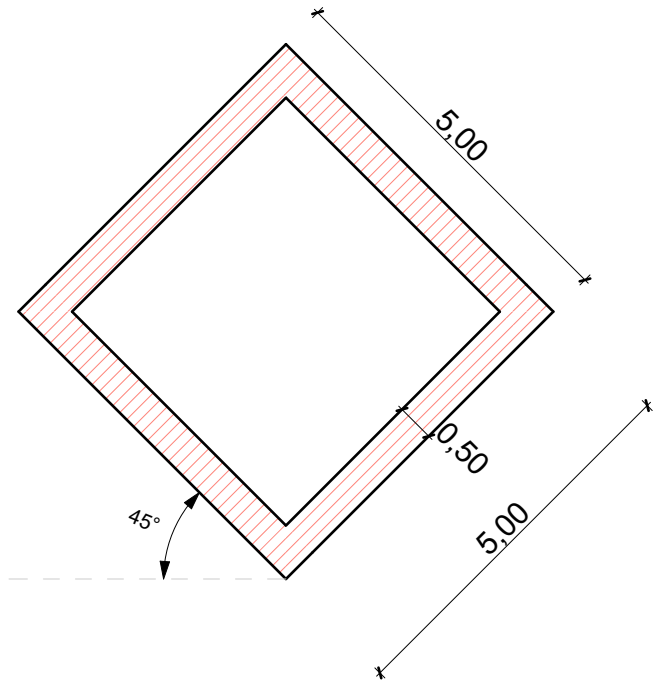


6. Wall tool: Rotated Rectangulas:

a.) Building Material:
"Brick"



b.) Building Material:
- "Fiberboard"
Cut Surfaces:
- "Insulation"
Cut Line Pen:
- "6" (blue)

