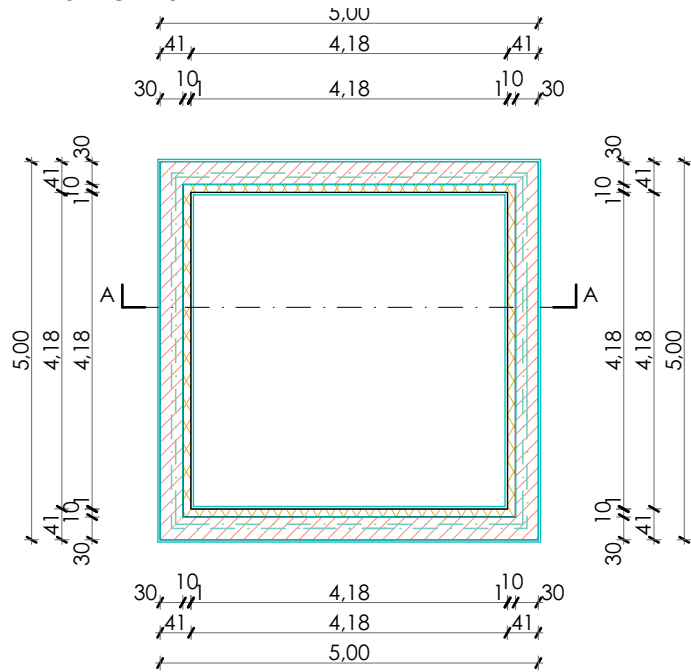
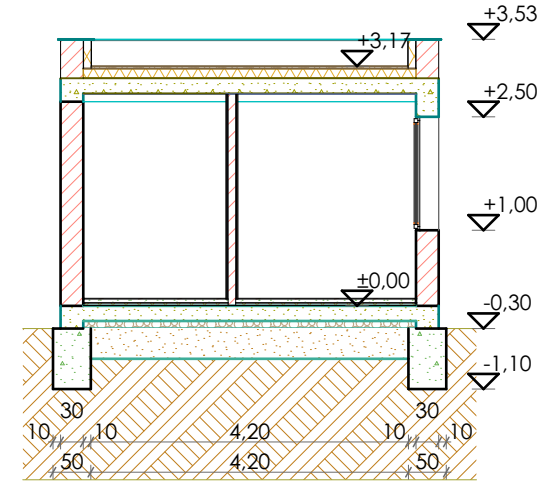


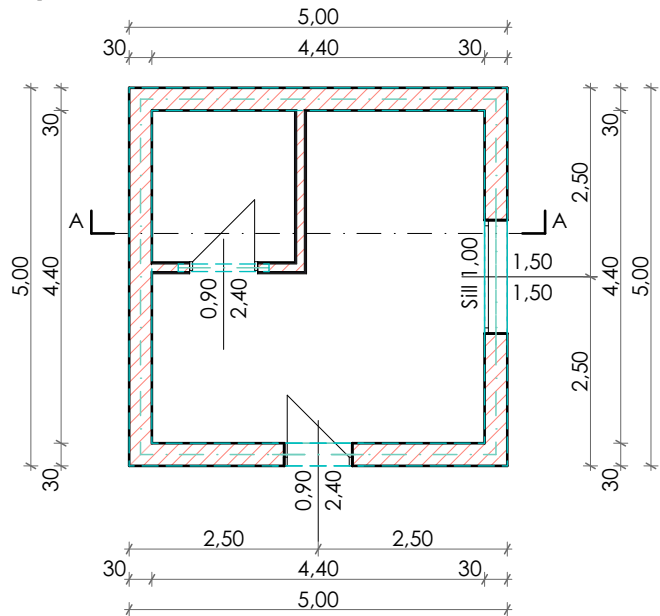
Flat roof with attic wall



A-A Section



Ground Floor plan



Tasks_B

	1.	2.	3.	4.	5.
<u>Foundation</u>	Reinforced Concrete Thickness = 70 cm	Brick Thickness = 70 cm	Reinforced Concrete Thickness = 50 cm	Concrete Thickness = 70 cm	Concrete Thickness = 50 cm
<u>Wall</u>	Concrete Thickness = 50 cm	Masonry Block Thickness = 44 cm	Concrete Block Thickness = 38 cm	Masonry Block Thickness = 30 cm	Brick Thickness = 38 cm
<u>Interior wall</u>	Brick Thickness = 12 cm	Brick Thickness = 12 cm	Masonry Block Thickness = 10 cm	Concrete Block Thickness = 15 cm	Concrete Thickness = 12 cm
<u>Floor Tile</u>	Carpet	Ceramic tile with 25*40 cm tiles	Parquet flooring	Ceramic tile with 30*30 cm tiles	Laminate flooring
<u>Interior wall tile</u>	Beadboard tile	Ceramic tile with 60*30 cm tiles	Ceramic tile with 30*30 cm tiles	Beadboard tile	Ceramic tile with 25*40 cm tiles
<u>Lintel</u>	Monolithic reinforced concrete, Height= 30 cm	Prefabricated reinforced concrete, Height= 30 cm	Monolithic reinforced concrete, Height= 30 cm	Prefabricated reinforced concrete, Height= 30 cm	Monolithic reinforced concrete, Height= 30 cm
<u>Doors/Windows</u>	Plastic	Aluminium	Wood	Plastic	Aluminium