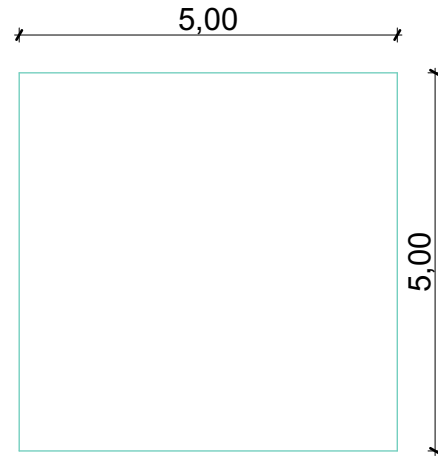


2. Slab tool: Geometry Method -> Rectangular:

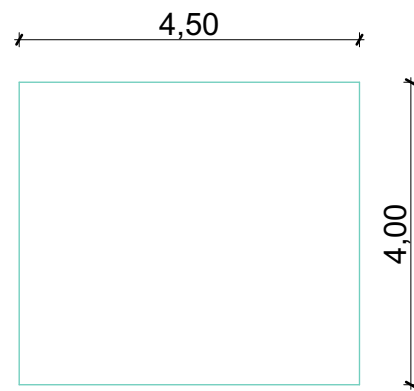
a.) Structure: "Basic"

-Offset the reference level: 3,00 m  
(top of the slab)



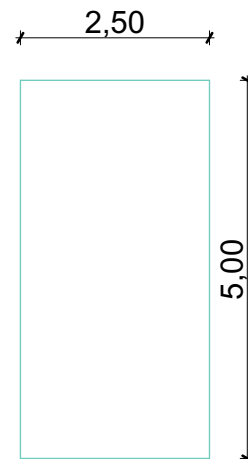
b.) Structure: "Basic"

-Offset the reference level: 2,50 m  
(Bottom of the slab)



c.) Structure: "Basic"

- Offset the reference level: 0,00 m  
(Bottom of the slab)  
- Building Material: "Mansory  
Block - Structural"



d.) Copy than rotate with 23° the previous slab:

