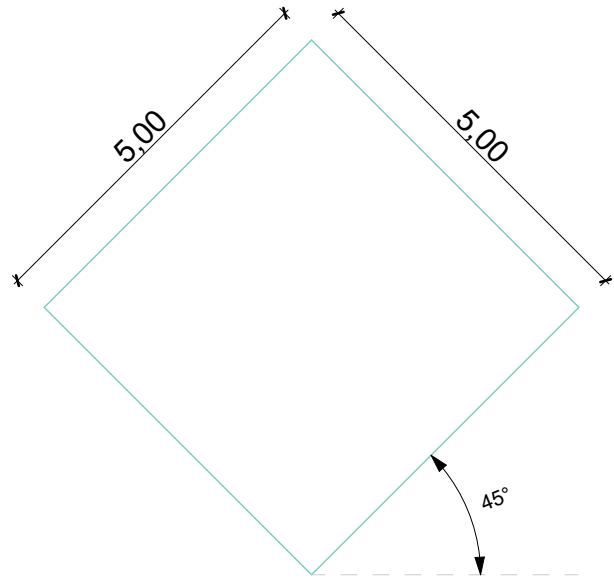


3. Slab tool: Geometry Method -> Rotated Rectangular:

a.) Create the following slab:



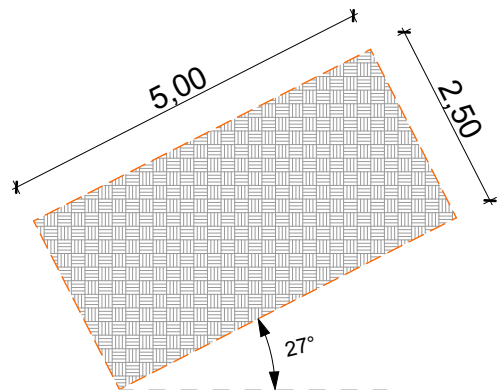
b.) Structure: Composite -> "Slab - Ground Bearing 1"

Outlines:

- Uncut Lines: "Hidden Line"
- Uncut Line Pen: "3" (orange)

Cover Fills:

- Cover Fill: "Brick Floor - Laid on Edge"
- Cover Fill Pen: "101" (grey)
- Cover Fill Background Pen: "0" (transparent)



c.) Copy the previous slab than cut into 2 equal pieces and edit:

1st piece properties:

- Override Surfaces: "Masonry - Brick Engineering"

2nd piece properties:

- Override Surfaces:
 - Top Surface: "Paint - Cadmium Yellow"
 - Edge Surface: "Paint - Cadmium Orange"
 - Bottom Surface: "Paint - Cobalt Blue"

