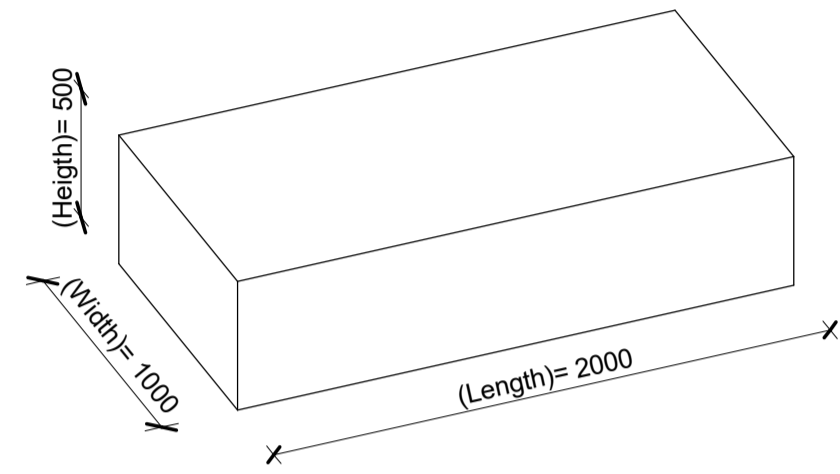




BOX
Width
Length
Height

1 Level 1 family BOX
1 : 100

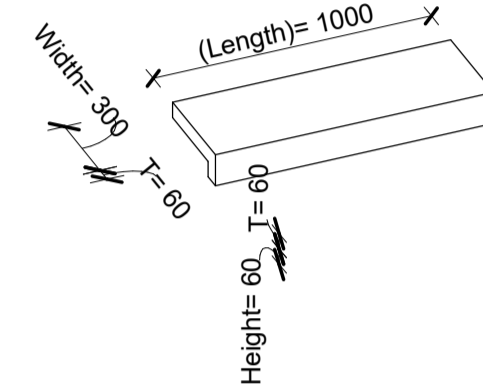


2 3D Family BOX

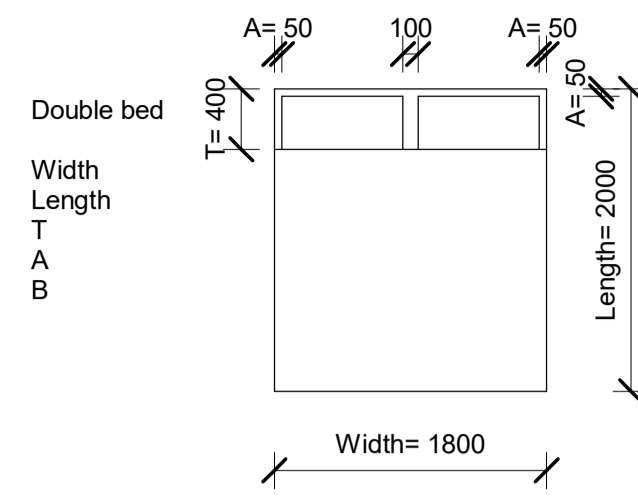


Bench
Width
Length
Height
T

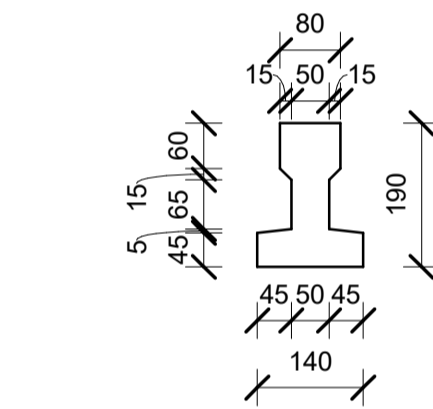
3 Level 1 family Bench
1 : 100



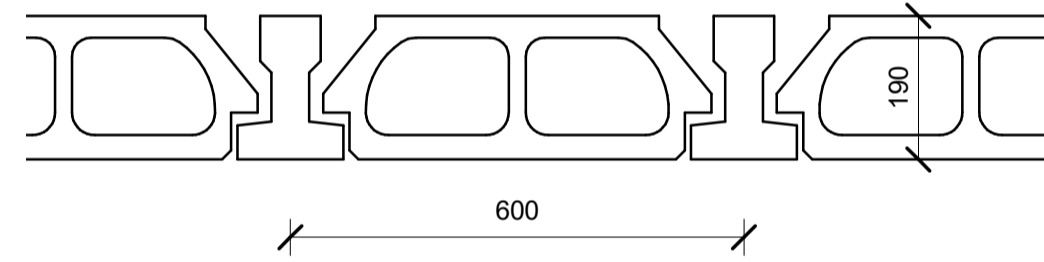
4 3D Family Bench



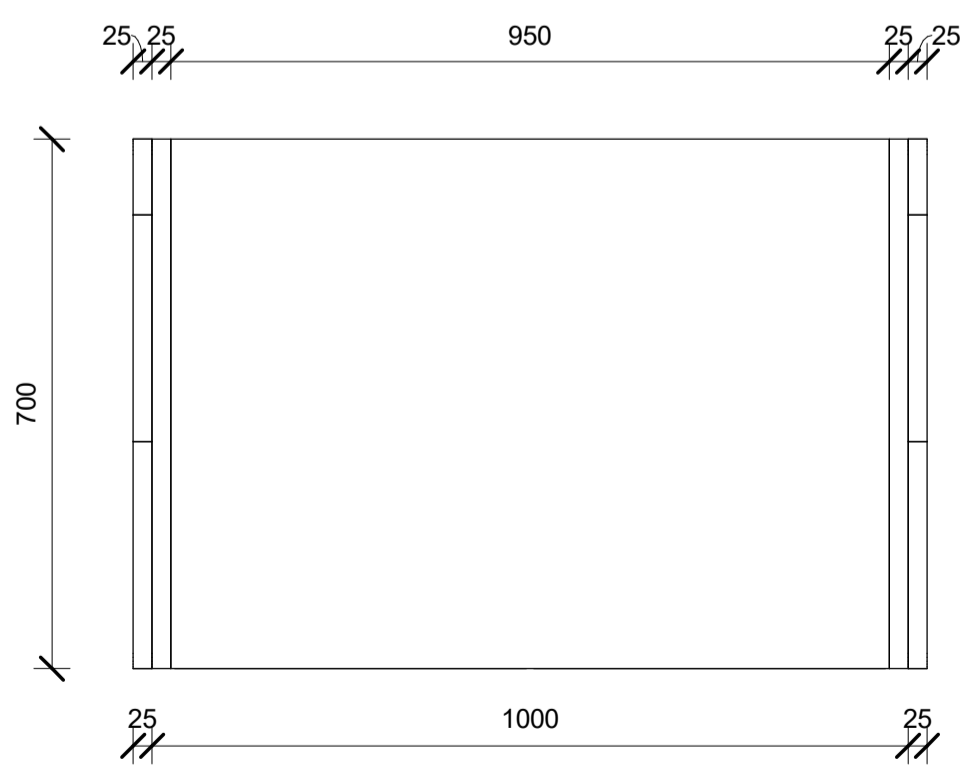
5 Level 1 family Double bed
1 : 50



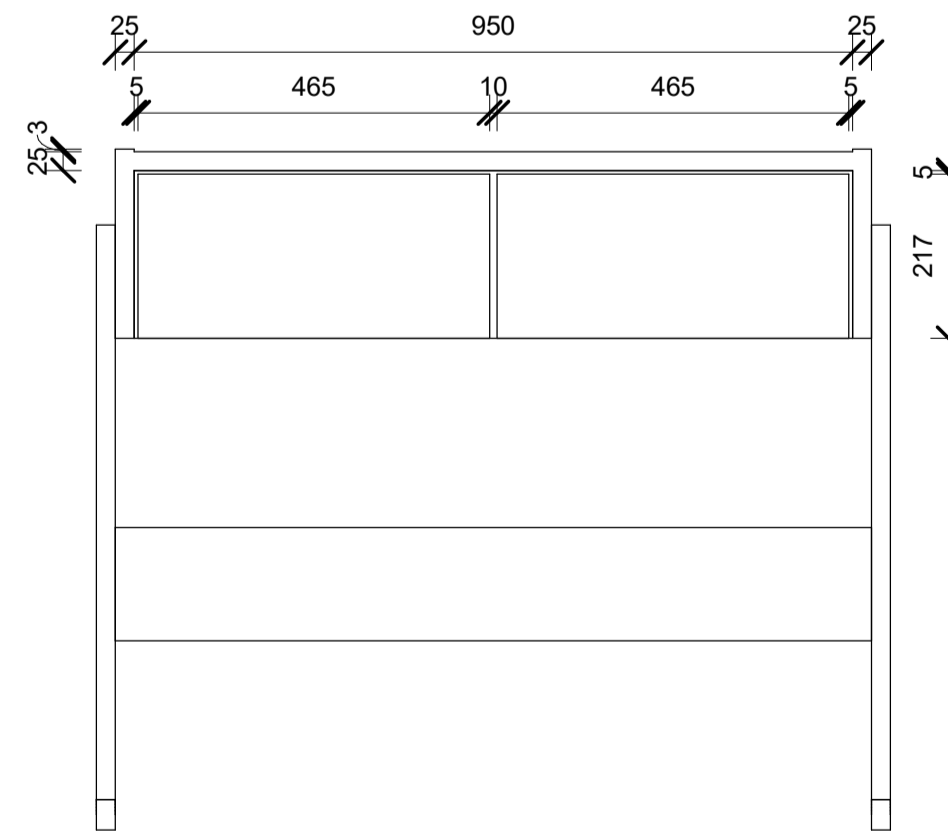
6 E7
1 : 10



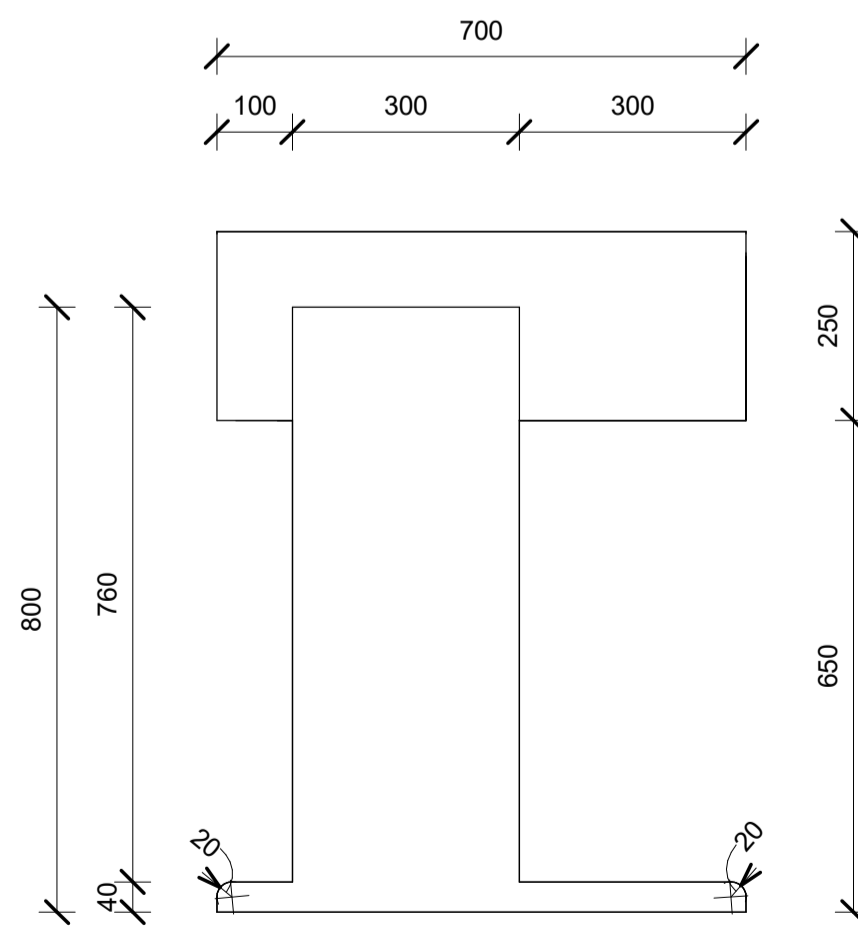
7 EB60/19
1 : 10



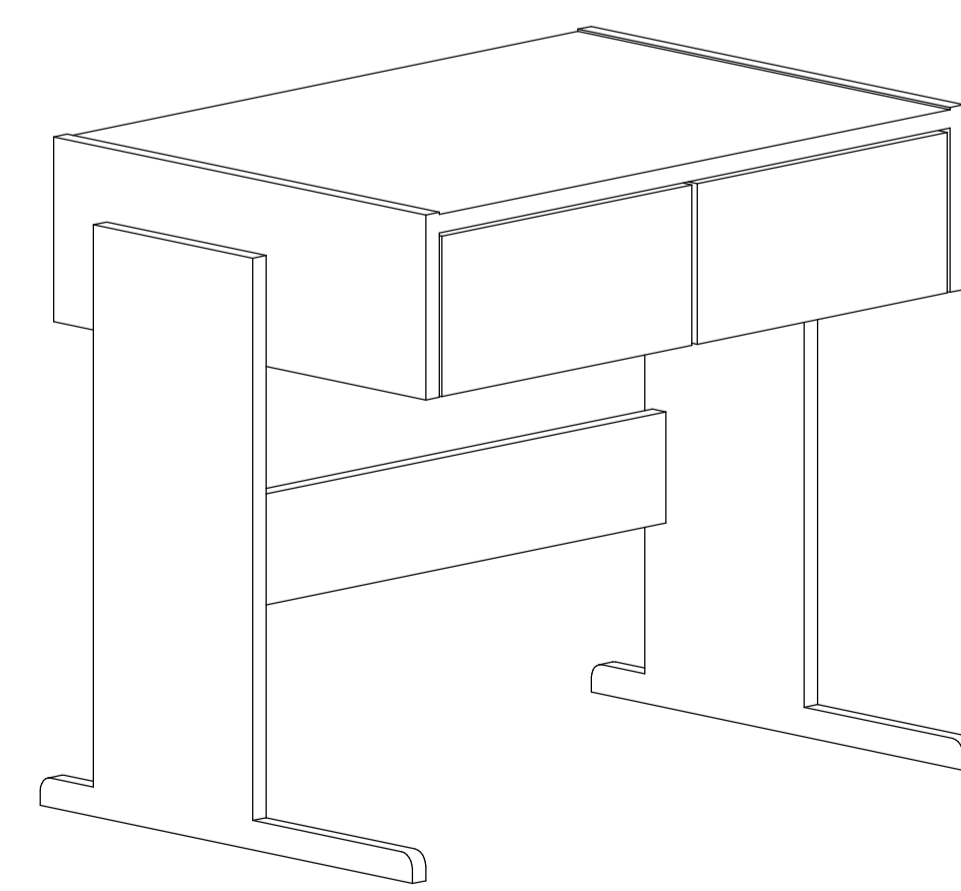
8 Desk
1 : 10



9 Desk 1
1 : 10



10 Desk 2
1 : 10



11 3D Desk



www.autodesk.com/revit

Consultant
Address
Address
Phone
Fax
e-mail

Consultant
Address
Address
Phone
Fax
e-mail

Consultant
Address
Address
Phone
Fax
e-mail

Consultant
Address
Address
Phone
Fax
e-mail

| No. | Description | Date |
|-----|-------------|------|
| | | |
| | | |
| | | |
| | | |
| | | |
| | | |
| | | |
| | | |
| | | |
| | | |
| | | |
| | | |
| | | |
| | | |
| | | |
| | | |
| | | |
| | | |
| | | |
| | | |
| | | |
| | | |
| | | |

Owner

Project Name

Families

Project number 0001

Date Issue Date

Drawn by Author

Checked by Checker

F5.2

Scale As indicated