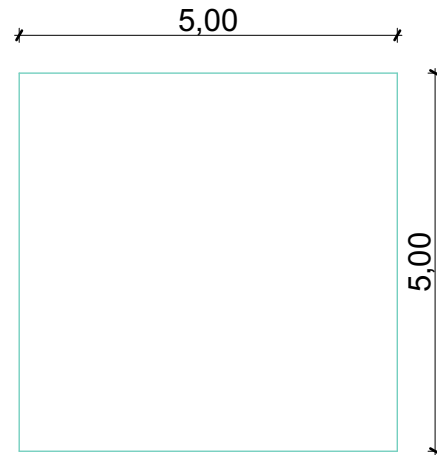
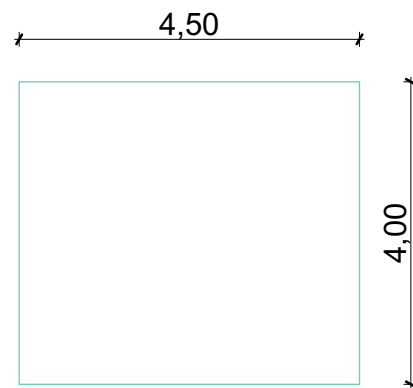


1. Slab tool: Geometry Method -> Polygonal:

- a.) Structure: "Basic"
- Building Material: "Concrete - Structural"
- Slab Thickness: 0,30 m



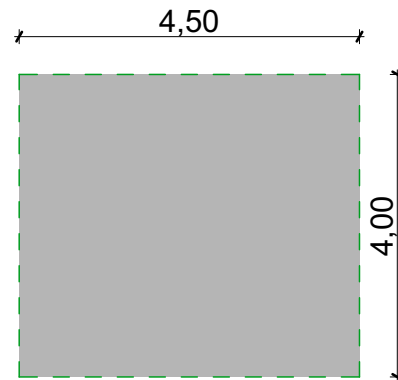
- b.) Structure: "Basic"
- Building Material: "Metal - Steel"
- Slab Thickness: 1,00 m



- c.) Copy the previous slab and edit:

Outlines:

- Uncut Lines: "Dashed"
 - Uncut Line Pen: "4" (green)
- Cover Fills:
- Cover Fill: "50%"
 - Cover Fill Pen: "61" (grey)
 - Cover Fill Background Pen: "-1" (Window Background)



- d.) Structure: "Composite" -> "Flat Roof"

Outlines:

- Uncut Lines: "Dense Dotted"
 - Uncut Line Pen: "8" (red)
- Cover Fills:
- Cover Fill: "Grid - 150 x 150"
 - Cover Fill Pen: "61" (grey)
 - Cover Fill Background Pen: "102" (light grey)

